



General Description:

MM-BPD-050400-04 is a 4-Way Power Divider operating over the 5.0 to 40.0 GHz frequency range. This model has a maximum insertion loss of 2.0 dB and has very good phase and amplitude match. The compact housing is outfitted with SMA female connectors.

Features:

- Ultra Wide Band: 5.0-40.0 GHz
- Ultra Broadband, Multi-Octave
- Superior Phase & Amplitude Balance

Applications:

- Radar Systems
- Communication Systems
- Receivers Systems

Electrical Specifications :

Parameter	Value			Units
	Min	Typ	Max	
Frequency Range	5.0		40.0	GHz
Insertion Loss			2.0	dB
VSWR		1.7	1.9	:1
Isolation	16			dB
Amplitude Balance			±0.5	dB
Phase Balance			±8	°
Power Handling			30	W
Impedance		50		Ω

Mechanical Specifications:

Parameter	Value
Length	52 mm
Width	35 mm
Height	10 mm
Material / Finishing	Aluminum/Black Paint
RF Connector	2.92mm Female



Focus on the future

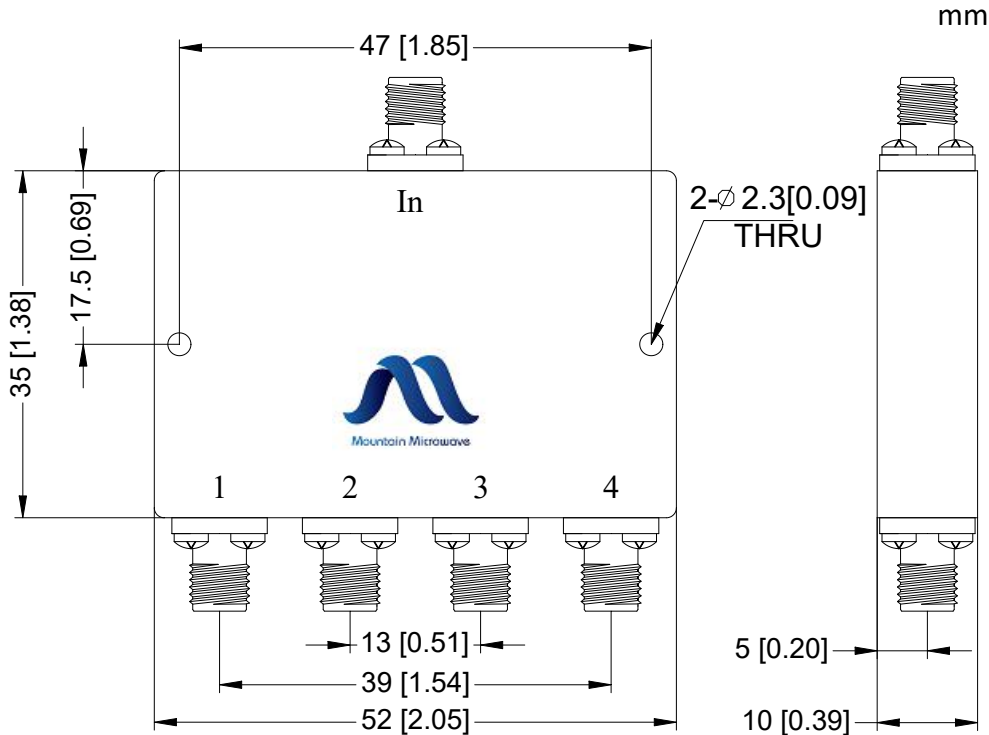
Broadband Power Divider

MM-BPD-050400-04

5.0-40.0 GHz, 4-Way

Mountain Microwave

Outline Drawing:



Environmental Conditions:

Parameter	Standard	Description
Operational Temperature		-45°C~+85°C
Storage Temperature		-55°C~+125°C
Random Vibration	MIL-STD-883K, Method 2026, Cond. IB	50 - 2000 Hz, 7.3 Grms
Humidity	MIL-STD-202, Method 103B, Cond. B	100% RH at 35c, 95%RH at 40°C
Altitude	MIL-STD-883K, Method 1001, Cond. C	50,000 feet

Please note, all information contained in this data sheet is subject to change without notice.

ver 1.0 0118