



Mountain Microwave

General Description:

MM-BHC-005020-90 is a quadrature coupler that operates over the frequency range of 0.5 to 2.0 GHz. It has a minimum isolation of 20 dB and a maximum insertion loss of 0.5 dB. This product is outfitted with SMA female connectors.

Features:

- Ultra Wide Band: 0.5-2.0 GHz
- High Isolation, Low VSWR
- Flat Coupling Level

Applications:

- Test Labs
- Communication Systems
- Receivers Systems

Electrical Specifications :

Parameter	Value			Units
	Min	Typ	Max	
Frequency Range	0.5		2.0	GHz
Coupling		3		dB
Insertion Loss		0.3	0.5	dB
VSWR		1.15	1.2	:1
Isolation		22	20	dB
Amplitude Balance			±0.6	dB
Phase Balance			±4	°
Power Handling			50	W
Impedance		50		Ω

Mechanical Specifications:

Parameter	Value
Length	138 mm
Width	22 mm
Height	11 mm
Material / Finishing	Aluminum/Black Paint
RF Connector	SMA Female



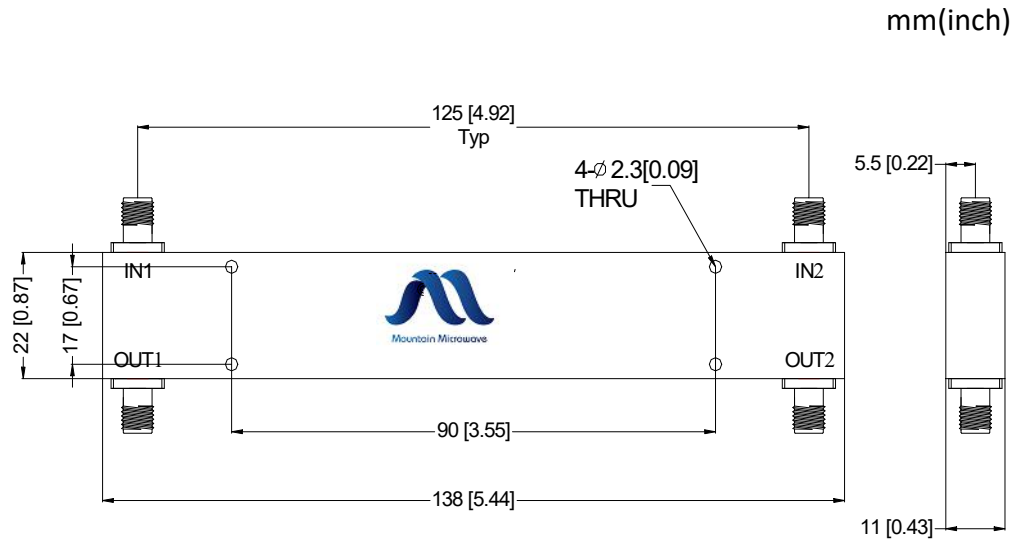
Mountain Microwave

Focus on the future 3 dB 90 Degree Hybrid Coupler

MM-BHC-005020-90

0.5-2.0 GHz,SMA

Outline Drawing:



Environmental Conditions:

Parameter	Standard	Description
Operational Temperature		-45°C~+85°C
Storage Temperature		-55°C~+125°C
Random Vibration	MIL-STD-883K, Method 2026, Cond. IB	50 - 2000 Hz, 7.3 Grms
Humidity	MIL-STD-202, Method 103B, Cond. B	100% RH at 35c, 95%RH at 40°C
Altitude	MIL-STD-883K, Method 1001, Cond. C	50,000 feet

Please note, all information contained in this data sheet is subject to change without notice.

ver 1.0 0316