



Mountain Microwave

**General Description:**

MM-BHC-060180-90 is a quadrature coupler that operates over the frequency range of 6.0 to 18.0 GHz. It has a minimum isolation of 16 dB and a maximum insertion loss of 1.0 dB. This product is outfitted with SMA female connectors.

**Features:**

- Ultra Wide Band: 6.0-18.0 GHz
- High Isolation, Low VSWR
- Flat Coupling Level

**Applications:**

- Test Labs
- Communication Systems
- Receivers Systems

**Electrical Specifications :**

Parameter	Value			Units
	Min	Typ	Max	
Frequency Range	6.0		18.0	GHz
Coupling		3		dB
Insertion Loss		0.9	1.0	dB
VSWR		1.5	1.6	:1
Isolation		18	16	dB
Amplitude Balance			±0.6	dB
Phase Balance			±5	°
Power Handling			50	W
Impedance		50		Ω

**Mechanical Specifications:**

Parameter	Value
Length	25.4 mm
Width	12.7 mm
Height	10.0 mm
Material / Finishing	Aluminum/Black Paint
RF Connector	SMA Female



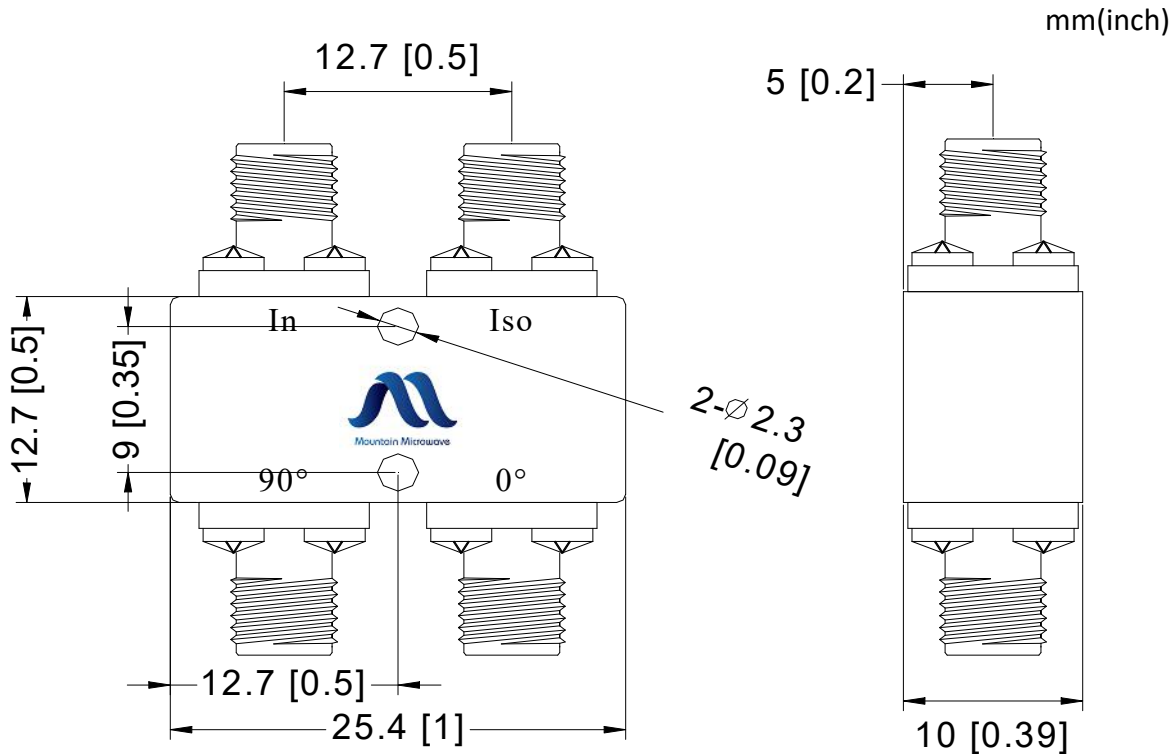
Mountain Microwave

# Focus on the future 3 dB 90 Degree Hybrid Coupler

MM-BHC-060180-90

6.0-18.0 GHz, SMA

## Outline Drawing:



## Environmental Conditions:

Parameter	Standard	Description
Operational Temperature		-45°C~+85°C
Storage Temperature		-55°C~+125°C
Random Vibration	MIL-STD-883K, Method 2026, Cond. IB	50 - 2000 Hz, 7.3 Grms
Humidity	MIL-STD-202, Method 103B, Cond. B	100% RH at 35c, 95%RH at 40°C
Altitude	MIL-STD-883K, Method 1001, Cond. C	50,000 feet

Please note, all information contained in this data sheet is subject to change without notice.

ver 1.0 0316