



**General Description:**

MM-BDC-010500-13 is a 1.0 GHz to 50.0 GHz directional coupler having a 13 dB coupling factor and 10 dB directivity. This model handles an input power of 20 watts.

**Features:**

- Ultra Wide Band: 1.0-50.0 GHz
- Low Insertion Loss
- Flat Coupling Level

**Applications:**

- Radar Systems
- Communication Systems
- Receivers Systems

**Electrical Specifications :**

Parameter	Value			Units
	Min	Typ	Max	
Frequency Range	1.0		50.0	GHz
Coupling		13 ± 1.6		dB
Insertion Loss		3.0	3.5	dB
VSWR			1.8	:1
Directivity	8	10		dB
Power Handling			20	W
Impedance		50		Ω

**Mechanical Specifications:**

Parameter	Value
Length	84 mm
Width	15 mm
Height	11 mm
Material / Finishing	Aluminum/Black Paint
RF Connector	2.4mm Female



Focus on the future

Mountain Microwave

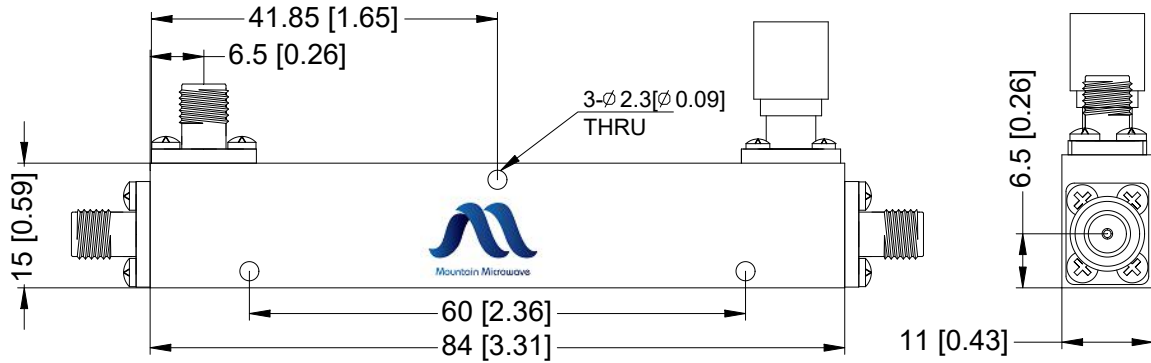
# Directional Coupler

MM-BDC-010500-13

1.0-50.0 GHz, 13 dB, 2.4mm Female

## Outline Drawing:

mm(inch)



## Environmental Conditions:

Parameter	Standard	Description
Operational Temperature		-45°C~+85°C
Storage Temperature		-55°C~+125°C
Random Vibration	MIL-STD-883K, Method 2026, Cond. IB	50 - 2000 Hz, 7.3 Grms
Humidity	MIL-STD-202, Method 103B, Cond. B	100% RH at 35c, 95%RH at 40°C
Altitude	MIL-STD-883K, Method 1001, Cond. C	50,000 feet

Please note, all information contained in this data sheet is subject to change without notice.

ver 1.0 0518