



General Description:

MM-BPA-001040-45-41 is a broadband Power amplifier with a typical small signal gain of 45 dB, a nominal Psat of +41 dBm across the frequency range of 0.1 to 4 GHz. The DC power requirement for the amplifier is +28 VDC/1.5 A.

Features:

- Ultra Wide Band: 0.1-4.0 GHz
- Output Psat: 41 dBm
- 50 Ohm input and output match
- Internally regulated
- Unconditionally stable

Applications:

- Radar Systems
- Communication Systems
- Receivers Systems

Electrical Specifications (23° C):

Parameter	Value			Units
	Min	Typ	Max	
Frequency Range	0.1		4	GHz
Gain	40	45		dB
Gain Flatness		±3.0		dB
Output P1dB	40			dBm
Output Psat		41		dBm
Spurious		-60		dBc
Input VSWR			1.8	:1
DC Voltage		+28		V
DC Current		1.5	2.5	A

Absolute Maximum Ratings:

Condition	Value
DC Voltage	+29V
Maximum Input Power(CW)	+5 dBm
ESD sensitivity (HBm)	Class 0, passed 150V

Mechanical Specifications:

Parameter	Value
Length	140 mm
Width	80 mm
Height	12 mm
RF Connector	SMA Female



Focus on the future

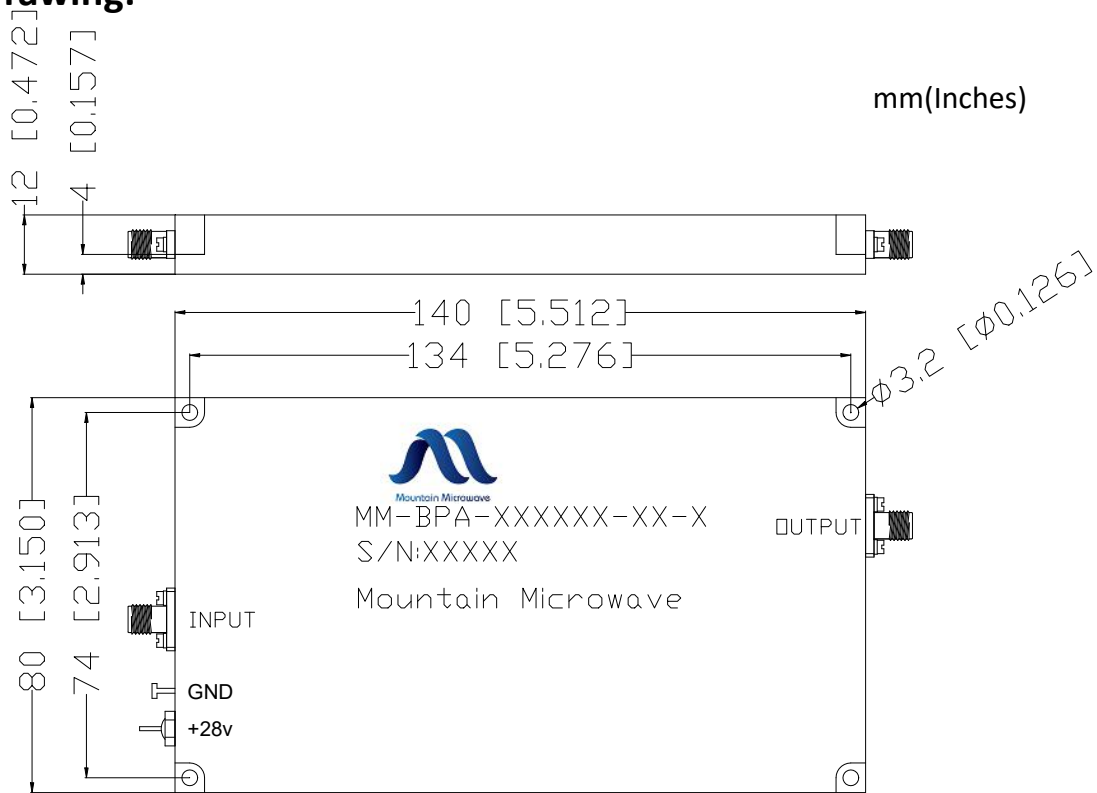
Broadband Power Amplifier

MM-BPA-001040-45-41

0.1-4 GHz

Mountain Microwave

Outline Drawing:



Environmental Conditions:

Parameter	Standard	Description
Operational Temperature		-45°C~+85°C
Storage Temperature		-55°C~+125°C
Random Vibration	MIL-STD-883K, Method 2026, Cond. IB	50 - 2000 Hz, 7.3 Grms
Humidity	MIL-STD-202, Method 103B, Cond. B	100% RH at 35c, 95%RH at 40°C
Altitude	MIL-STD-883K, Method 1001, Cond. C	50,000 feet

Caution:

- Exceeding absolute maximum ratings shown will damage the device.
- The device is static sensitive. Always follow ESD rules when working with the device.
- Heat Sink required during operation.

Please note, all information contained in this data sheet is subject to change without notice.

ver 1.0 0618