



General Description:

MM-BDC-020080-30 is a 2.0 GHz to 8.0GHz directional coupler having a 30 dB coupling factor and 20 dB directivity. This model handles an input power of 30 watts.

Features:

- Ultra Wide Band: 2.0-8.0 GHz
- Low Insertion Loss
- Flat Coupling Level

Applications:

- Radar Systems
- Communication Systems
- Receivers Systems

Electrical Specifications :

Parameter	Value			Units
	Min	Typ	Max	
Frequency Range	2.0		8.0	GHz
Coupling		30 ± 1.0		dB
Insertion Loss			0.3	dB
VSWR			1.3	:1
Directivity	20			dB
Power Handling			30	W
Impedance		50		Ω

Mechanical Specifications:

Parameter	Value
Length	43 mm
Width	15 mm
Height	11 mm
Material / Finishing	Aluminum/Black Paint
RF Connector	SMA Female



Mountain Microwave

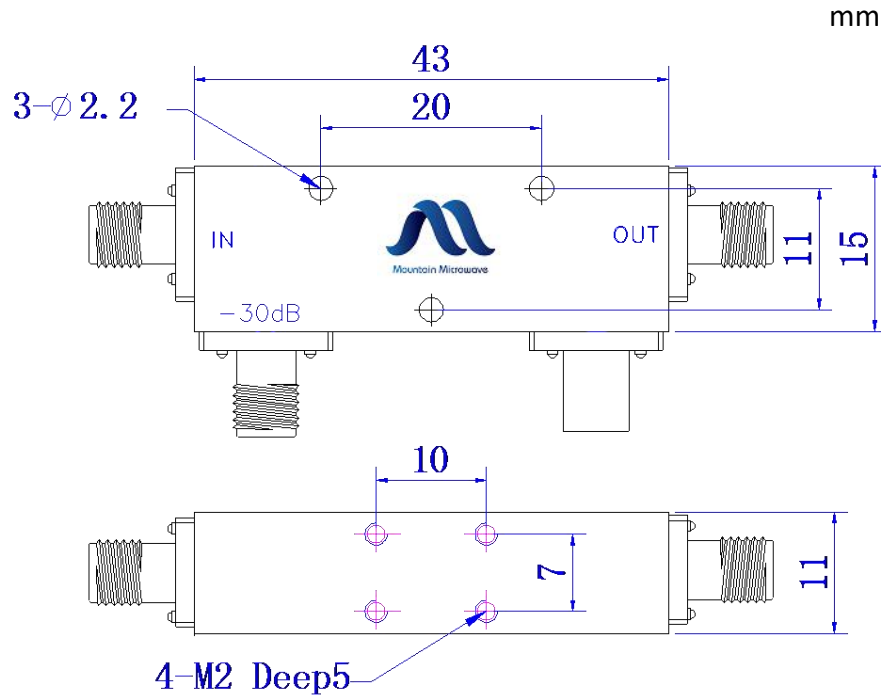
Focus on the future

Directional Coupler

MM-BDC-020080-30

2.0-8.0 GHz, 30 dB, SMA-Female

Outline Drawing:



Environmental Conditions:

Parameter	Standard	Description
Operational Temperature		-45 ~+85
Storage Temperature		-55 ~+125
Random Vibration	MIL-STD-883K, Method 2026, Cond. IB	50 - 2000 Hz, 7.3 Grms
Humidity	MIL-STD-202, Method 103B, Cond. B	100% RH at 35c, 95%RH at 40
Altitude	MIL-STD-883K, Method 1001, Cond. C	50,000 feet

Please note, all information contained in this data sheet is subject to change without notice.

ver 1.0 0316