



General Description:

MM-BDC-005180-20 is a 0.5 GHz to 18.0 GHz directional coupler having a 20 dB coupling factor and 10 dB directivity. This model handles an input power of 30 watts.

Features:

- Ultra Wide Band: 0.5-18.0 GHz
- Low Insertion Loss
- Flat Coupling Level

Applications:

- Radar Systems
- Communication Systems
- Receivers Systems

Electrical Specifications :

Parameter	Value			Units
	Min	Typ	Max	
Frequency Range	0.5		18.0	GHz
Coupling		20 ± 1.5		dB
Insertion Loss			2.0	dB
VSWR			1.7	:1
Directivity	10			dB
Power Handling			30	W
Impedance		50		Ω

Mechanical Specifications:

Parameter	Value
Length	28 mm
Width	15 mm
Height	11 mm
Material / Finishing	Aluminum/Black Paint
RF Connector	SMA Female



Mountain Microwave

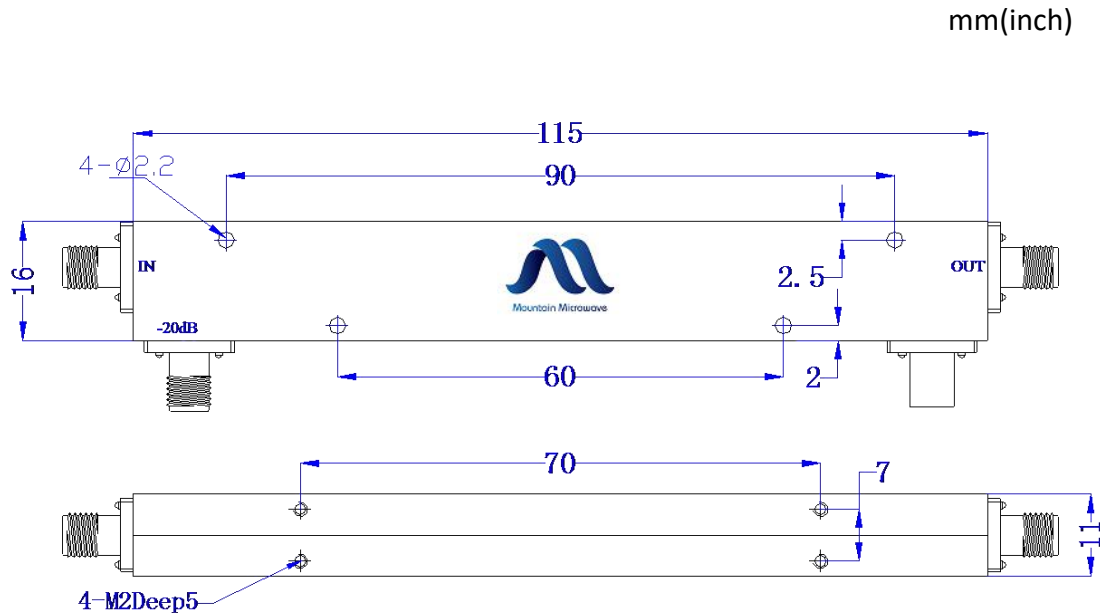
Focus on the future

Directional Coupler

MM-BDC-005180-20

0.5-18.0 GHz, 20 dB, SMA-Female

Outline Drawing:



Environmental Conditions:

Parameter	Standard	Description
Operational Temperature		-45°C~+85°C
Storage Temperature		-55°C~+125°C
Random Vibration	MIL-STD-883K, Method 2026, Cond. IB	50 - 2000 Hz, 7.3 Grms
Humidity	MIL-STD-202, Method 103B, Cond. B	100% RH at 35c, 95%RH at 40°C
Altitude	MIL-STD-883K, Method 1001, Cond. C	50,000 feet

Please note, all information contained in this data sheet is subject to change without notice.

ver 1.0 0316