



General Description:

MM-BPD-008025-03 is a 3-Way Power Divider operating over the 0.8 to 2.5 GHz frequency range. This model has a maximum insertion loss of 0.6 dB and has very good phase and amplitude match. The compact housing is outfitted with SMA female connectors.

Features:

- Ultra Wide Band: 0.8-2.5 GHz
- Ultra Broadband, Multi-Octave
- Superior Phase & Amplitude Balance

Applications:

- Radar Systems
- Communication Systems
- Receivers Systems

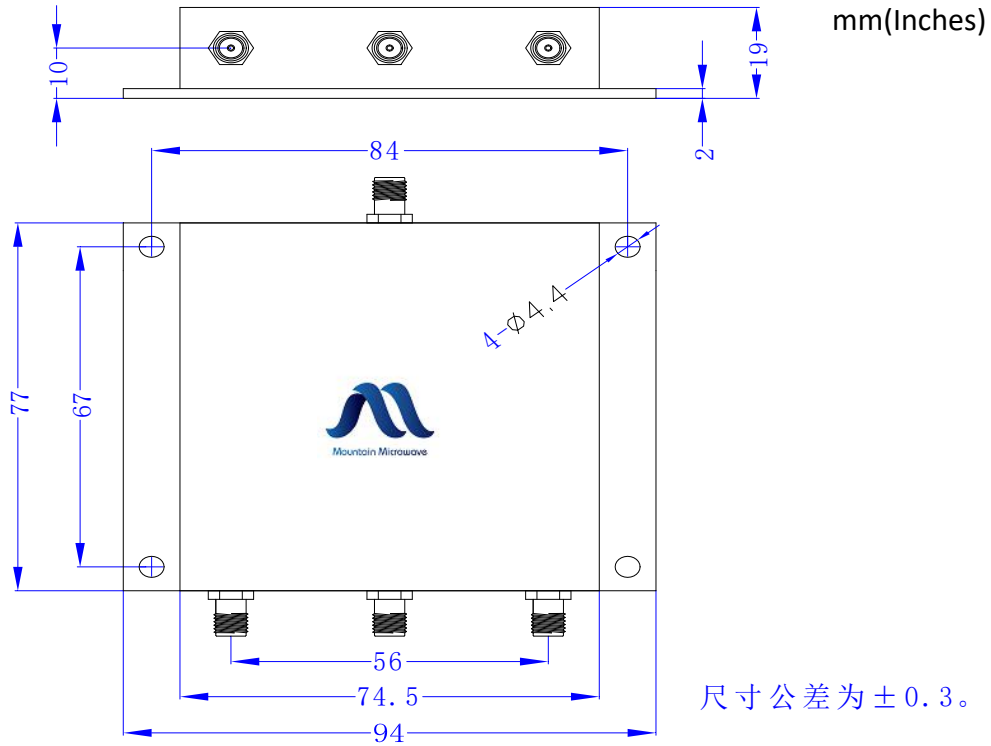
Electrical Specifications :

Parameter	Value			Units
	Min	Typ	Max	
Frequency Range	0.8		2.5	GHz
Insertion Loss			0.6	dB
VSWR			1.6	:1
Isolation	22			dB
Amplitude Balance			±0.35	dB
Phase Balance			±7	°
Power Handling			50	W
Impedance		50		Ohms

Mechanical Specifications:

Parameter	Value
Length	94 mm
Width	77 mm
Height	19 mm
Material / Finishing	Aluminum/Black Paint
RF Connector	SMA Female

Outline Drawing:



Environmental Conditions:

Parameter	Standard	Description
Operational Temperature		-45 ~+85
Storage Temperature		-55 ~+125
Random Vibration	MIL-STD-883K, Method 2026, Cond. IB	50 - 2000 Hz, 7.3 Grms
Humidity	MIL-STD-202, Method 103B, Cond. B	100% RH at 35c, 95%RH at 40
Altitude	MIL-STD-883K, Method 1001, Cond. C	50,000 feet