



General Description:

MM-BPD-010400-02 is a 2-Way Power Divider operating over the 1.0 to 40.0 GHz frequency range. This model has a maximum insertion loss of 3.0 dB and has very good phase and amplitude match. The compact housing is outfitted with SMA female connectors.

Features:

- Ultra Wide Band: 1.0-40.0GHz
- Ultra Broadband, Multi-Octave
- Superior Phase & Amplitude Balance

Applications:

- Radar Systems
- Communication Systems
- Receivers Systems

Electrical Specifications :

Parameter	Value			Units
	Min	Typ	Max	
Frequency Range	1.0		40.0	GHz
Insertion Loss			3.0	dB
VSWR			1.6	:1
Isolation	18			dB
Amplitude Balance			±0.4	dB
Phase Balance			±6	°
Power Handling			20	W
Impedance		50		Ω

Mechanical Specifications:

Parameter	Value
Length	95.3 mm
Width	25.9 mm
Height	12.7 mm
Material / Finishing	Aluminum/Black Paint
RF Connector	SMA Female



Focus on the future

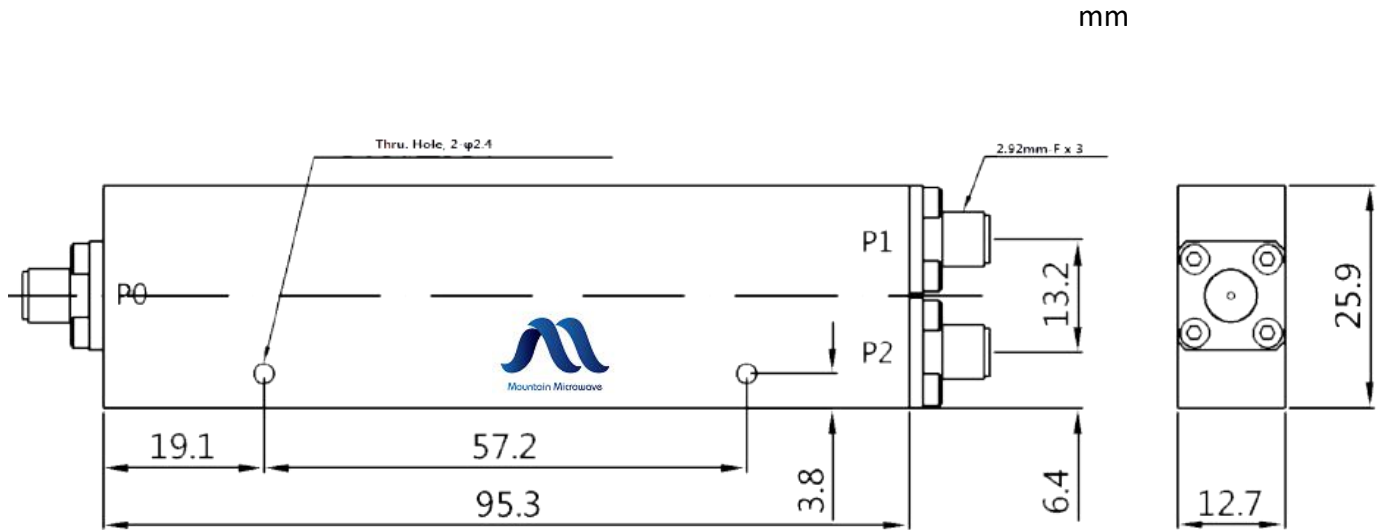
Broadband Power Divider

MM-BPD-010400-02

1.0-40.0 GHz, 2-Way

Mountain Microwave

Outline Drawing:



Environmental Conditions:

Parameter	Standard	Description
Operational Temperature		-45°C~+85°C
Storage Temperature		-55°C~+125°C
Random Vibration	MIL-STD-883K, Method 2026, Cond. IB	50 - 2000 Hz, 7.3 Grms
Humidity	MIL-STD-202, Method 103B, Cond. B	100% RH at 35c, 95%RH at 40°C
Altitude	MIL-STD-883K, Method 1001, Cond. C	50,000 feet

Please note, all information contained in this data sheet is subject to change without notice.

ver 1.0 0216