



General Description:

MM-BPA-010060-52-53 is a broadband Power amplifier with a typical small signal gain of 52 dB, a nominal Psat of +53 dBm across the frequency range of 1 to 6 GHz. The DC power requirement for the amplifier is +28 VDC/15 A.

Features:

- Ultra Wide Band: 1.0-6.0 GHz
- Output Psat: 53 dBm
- 50 Ohm input and output match
- Internally regulated
- Unconditionally stable

Applications:

- Radar Systems
- Communication Systems
- Receivers Systems

Electrical Specifications (23° C):

Parameter	Value			Units
	Min	Typ	Max	
Frequency Range	1		6	GHz
Gain	50	52		dB
Gain Flatness		±4.0	±5.0	dB
Output P1dB	51	52		dBm
Output Psat		53		dBm
Input VSWR		1.5	2.5	:1
Second Harmonic	13	15		dB
DC Voltage		+28		V
DC Current		15	18	A

Absolute Maximum Ratings:

Condition	Value
DC Voltage	+28.5V
Maximum Input Power(CW)	+8 dBm
ESD sensitivity (HBm)	Class 0, passed 150V

Mechanical Specifications:

Parameter	Value
Length	240mm
Width	220 mm
Height	185 mm
Input Connector	SMA Female
Output Connector	N Female



Mountain Microwave

Focus on the future

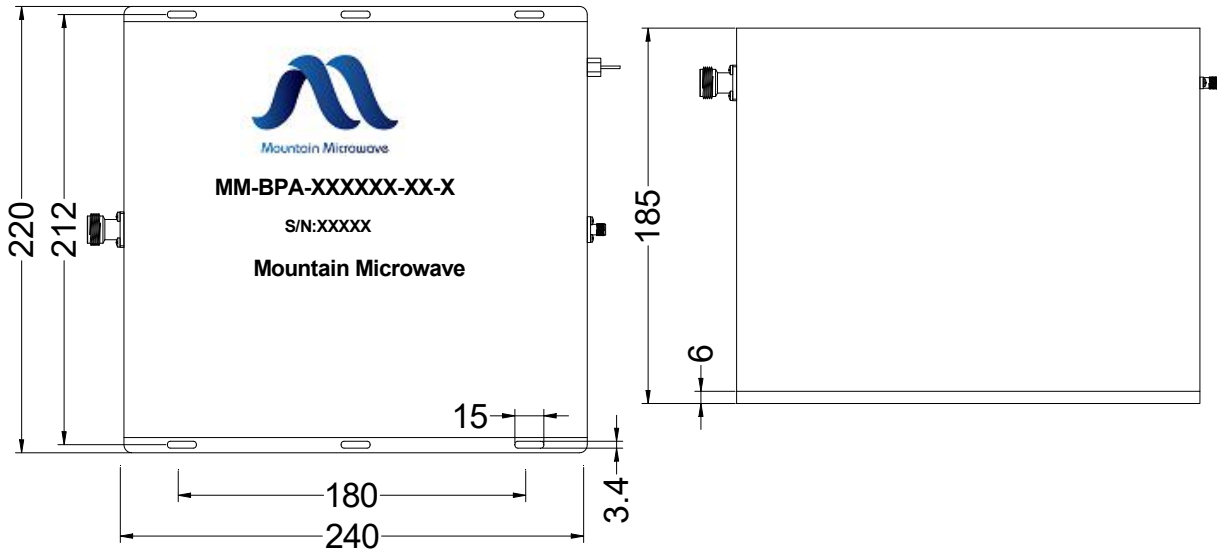
Broadband Power Amplifier

MM-BPA-010060-52-53

1-6 GHz, 200W

Outline Drawing:

mm(Inches)



Environmental Conditions:

Parameter	Standard	Description
Operational Temperature		-45°C~+85°C
Storage Temperature		-55°C~+125°C
Random Vibration	MIL-STD-883K, Method 2026, Cond. IB	50 - 2000 Hz, 7.3 Grms
Humidity	MIL-STD-202, Method 103B, Cond. B	100% RH at 35c, 95%RH at 40°C
Altitude	MIL-STD-883K, Method 1001, Cond. C	50,000 feet

Caution:

- Exceeding absolute maximum ratings shown will damage the device.
- The device is static sensitive. Always follow ESD rules when working with the device.
- Heat Sink required during operation.

Please note, all information contained in this data sheet is subject to change without notice.

ver 1.0 0618