



**General Description:**

MM-BPD-180500-02 is a 2-Way Power Divider operating over the 18.0 to 50.0 GHz frequency range. This model has a maximum insertion loss of 1.9 dB and has very good phase and amplitude match. The compact housing is outfitted with 2.4 mm female connectors.

**Features:**

- Ultra Wide Band: 18.0-50.0GHz
- Ultra Broadband, Multi-Octave
- Superior Phase & Amplitude Balance

**Applications:**

- Radar Systems
- Communication Systems
- Receivers Systems

**Electrical Specifications :**

Parameter	Value			Units
	Min	Typ	Max	
Frequency Range	18.0		50.0	GHz
Insertion Loss			1.9	dB
VSWR			1.8	:1
Isolation	15			dB
Amplitude Balance			±0.5	dB
Phase Balance			±5	°
Power Handling			20	W
Impedance		50		Ω

**Mechanical Specifications:**

Parameter	Value
Length	26 mm
Width	14 mm
Height	10 mm
Material / Finishing	Aluminum/Black Paint
RF Connector	2.4 mm Female



Mountain Microwave

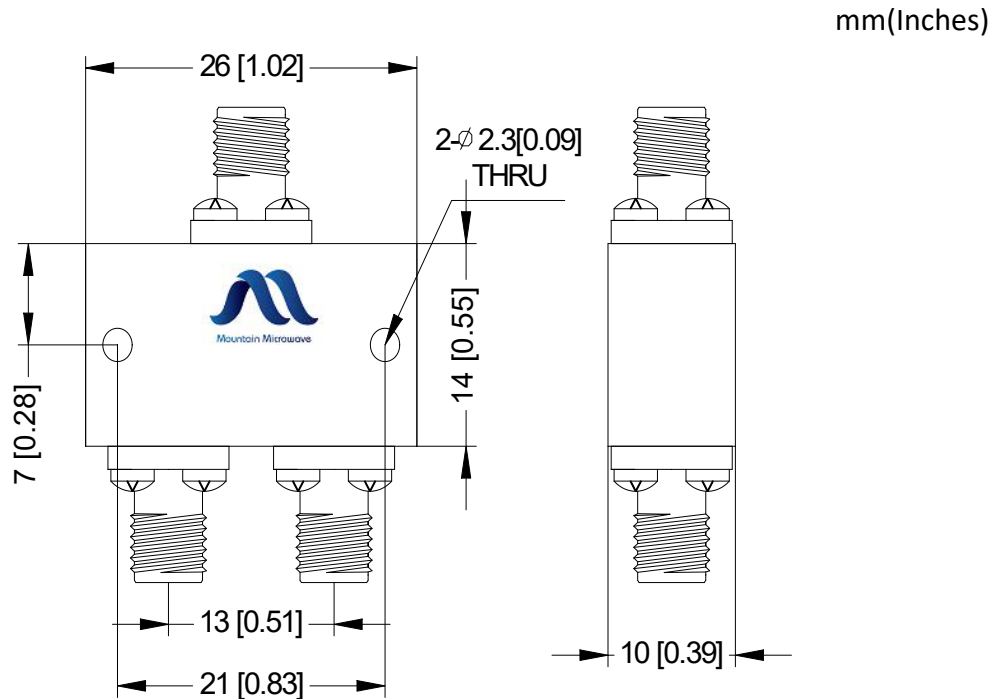
Focus on the future

**Broadband Power Divider**

MM-BPD-180500-02

18.0-50.0 GHz, 2-Way

**Outline Drawing:**



**Environmental Conditions:**

Parameter	Standard	Description
Operational Temperature		-45°C~+85°C
Storage Temperature		-55°C~+125°C
Random Vibration	MIL-STD-883K, Method 2026, Cond. IB	50 - 2000 Hz, 7.3 Grms
Humidity	MIL-STD-202, Method 103B, Cond. B	100% RH at 35c, 95%RH at 40°C
Altitude	MIL-STD-883K, Method 1001, Cond. C	50,000 feet

Please note, all information contained in this data sheet is subject to change without notice.

ver 1.0 0619