



**General Description:**

MM-MPA-210230-18-14 is a Waveguide Power Amplifier that operates over the frequency range of 210 to 230 GHz. This model provides a typical gain of 18 dB . It provides a Psat of 14 dB typical and operates on +7 VDC with a typical current draw of 360 mA.

**Features:**

- Ultra Wide Band: 210-230 GHz
- Gain: 18 dB
- Psat: 14 dB
- Internally regulated
- Unconditionally stable

**Applications:**

- Radar Systems
- Communication Systems
- Receivers Systems

**Electrical Specifications (23° C):**

Parameter	Value			Units
	Min	Typ	Max	
Frequency Range	210		230	GHz
Gain		18		dB
Gain Flatness		-		dB
Psat		14		dBm
Output Power (P1dB)		-		dBm
Input VSWR		3.0		:1
Output VSWR		3.0		:1
DC Voltage		+7		V
DC Current		360		mA

**Absolute Maximum Ratings:**

Condition	Value
DC Voltage	+7 V
Maximum Input Power(CW)	TBD
ESD sensitivity (HBm)	Class 0, passed 150V

**Mechanical Specifications:**

Parameter	Value
Length	35 mm
Width	24 mm
Height	30 mm
RF Connector	WR04/UG-387



Mountain Microwave

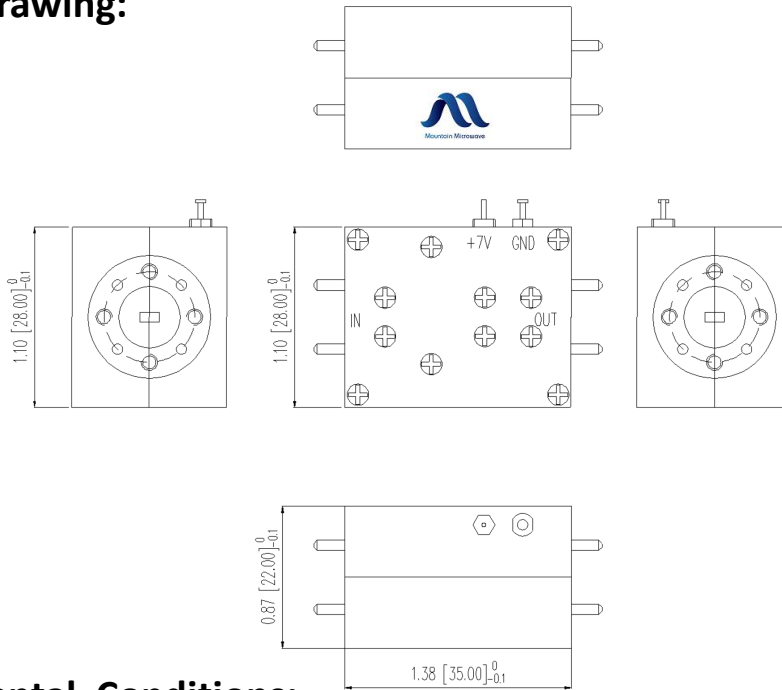
Focus on the future

Waveguide Power Amplifier

MM-MPA-210230-18-14

210 to 230 GHz

Outline Drawing:



mm(Inches)

Environmental Conditions:

Parameter	Standard	Description
Operational Temperature		0°C~+50°C
Storage Temperature		-45°C~+125°C
Random Vibration	MIL-STD-883K, Method 2026, Cond. IB	50 - 2000 Hz, 7.3 Grms
Humidity	MIL-STD-202, Method 103B, Cond. B	100% RH at 35c, 95%RH at 40°C
Altitude	MIL-STD-883K, Method 1001, Cond. C	50,000 feet

Caution:

- Exceeding absolute maximum ratings shown will damage the device.
- The device is static sensitive. Always follow ESD rules when working with the device.
- Heat Sink required during operation.

Please note, all information contained in this data sheet is subject to change without notice.

ver 2.0 0318